

組み合わせ(予選リーグ)

Table with 5 columns: Team, Score, Points, Goals, Goals Against, Goal Difference, Rank. Rows include ①宮野浦, ②松山, ③遊佐, ④富士見.

Table with 5 columns: Team, Score, Points, Goals, Goals Against, Goal Difference, Rank. Rows include ⑤平田, ⑥泉, ⑦若浜, ⑧琢成.

Table with 5 columns: Team, Score, Points, Goals, Goals Against, Goal Difference, Rank. Rows include ⑨一條, ⑩松原, ⑪松陵, ⑫十坂.

Table with 5 columns: Team, Score, Points, Goals, Goals Against, Goal Difference, Rank. Rows include ⑬浜田, ⑭亀城, ⑮浜中, ⑯港南.

競技日程(予選リーグ)

Table with 3 columns: Date, Match, Time. Rows list matches from July 20th, including teams like 宮野浦, 松山, 平田, 泉, 遊佐, 富士見, 若浜, 琢成, 一條, 松原, 松陵, 十坂, 浜田, 亀城, 浜中, 港南.

決勝トーナメント

優勝: 若浜サッカースポーツ少年団

準優勝: 琢成SSS
第3位: 亀城SSS
第4位: 浜田SSS

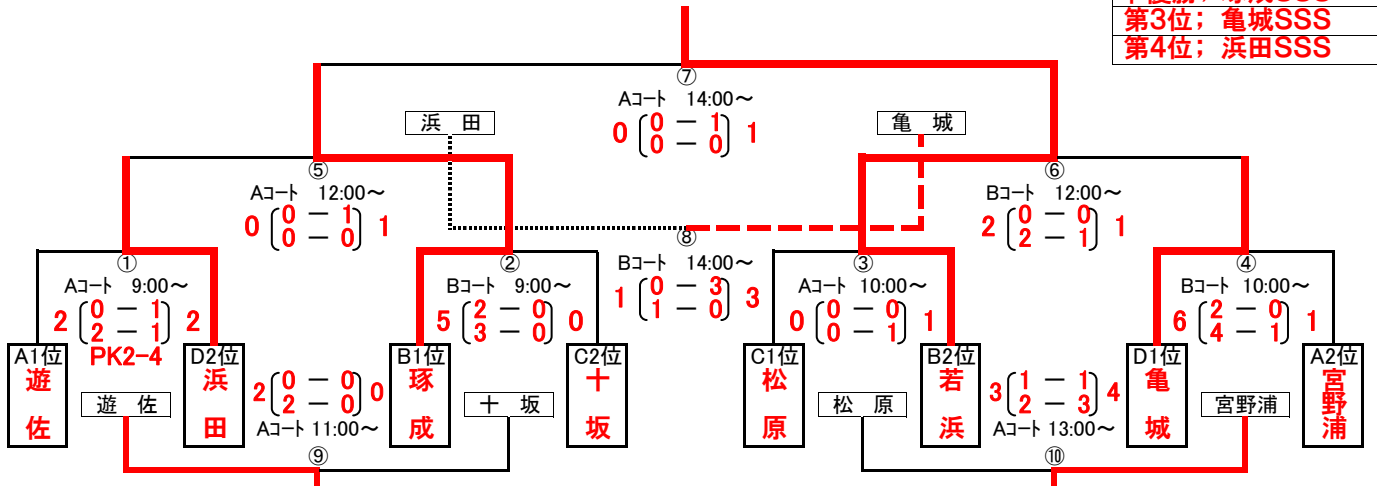


Table with 3 columns: Date, Match, Time. Rows list knockout matches from July 21st, including teams like 遊佐, 松原, 遊佐, 浜田, 松原, 琢成, 若浜, 松原, 若浜, 松原, 若浜, 浜田, 亀城.